

## Description



# IP KVM Switch

MODEL : KF108P

PS/2 USB VGA IP KVM

8-Port Combo Free USB & PS/2 KVM Switches over IP

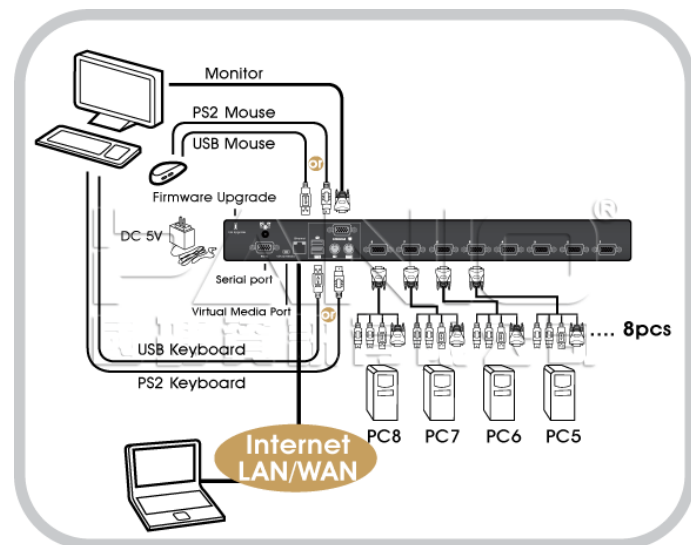
Made in Taiwan

PANIO offers an ideal enterprise 8 ports KVM switches over IP for company server room or testing facilities. PANIO 8 ports Combo Free KVM over IP feature the patented design of the availability of USB & PS/2 interface connection, user friendly OSD utility, Daisy chain function, and the flexibility of Firmware-Upgradable function.

## Features

- Manage servers around the world.
- Remote KVM access over IP or analog telephone line ( modem needed ).
- Full control under complying with OS, BIOS level, during boot, or at Blue Screens.
- Remote mass storage control and redirection.
- Remote control over Java-Enabled Browsers.
- No additional software needed on client console side.
- Secure access through certificate authentication and data encryption.
- 256-bit SSL encryption of all transmitted data.
- Auto-optimize the frame rate and video quality according to the bandwidth availability.
- Automatically senses video resolution for best possible screen capture.
- High-performance mouse tracking and synchronization.
- Firmware updated via web interface.
- Made in Taiwan.

## Diagram



### Accessories :

- 1 x KF108P
- 8 x Combo Custom 4-in-1 cable ( 2 x PS/2 + USB + VGA) Cable
- 1 x RS-232 Cable
- 1 x Rack Mount Kit
- 1 x DC 5V 2A Power adaptor
- 1 x CD-ROM with supporting programs