

Description

IP KVM Switch

MODEL : **KF116P**

PS/2 USB VGA IP KVM

16-Port Combo Free USB & PS/2 KVM Switches over IP

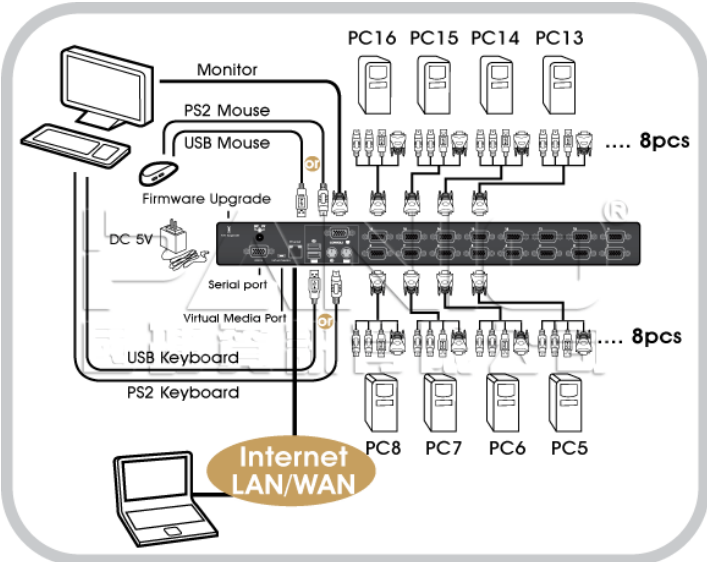
Made in Taiwan



PANIO offers an ideal enterprise 16 ports KVM switches over IP for company server room or testing facilities. PANIO 16 ports Combo Free KVM over IP feature the patented design of the availability of USB & PS/2 interface connection, user friendly OSD utility, Daisy chain function, and the flexibility of Firmware-Upgradable function.

Features **Diagram**

- Manage servers around the world.
- Remote KVM access over IP or analog telephone line (modem needed).
- Full control under complying with OS, BIOS level, during boot, or at Blue Screens.
- Remote mass storage control and redirection.
- Remote control over Java-Enabled Browsers.
- No additional software needed on client console side.
- Secure access through certificate authentication and data encryption.
- 256-bit SSL encryption of all transmitted data.
- Auto-optimize the frame rate and video quality according to the bandwidth availability.
- Automatically senses video resolution for best possible screen capture.
- High-performance mouse tracking and synchronization.
- Firmware updated via web interface.
- Made in Taiwan.



- Accessories :
- 1 x KF116P
 - 16 x Combo Custom 4-in-1 cable (2 x PS/2 + USB + VGA) Cable
 - 1 x RS-232 Cable
 - 1 x Rack Mount Kit
 - 1 x DC 5V 2A Power adaptor
 - 1 x CD-ROM with supporting programs