

Wall Plate 4K HDMI+Audio HDBaseT Extender

Model:HAE

Features

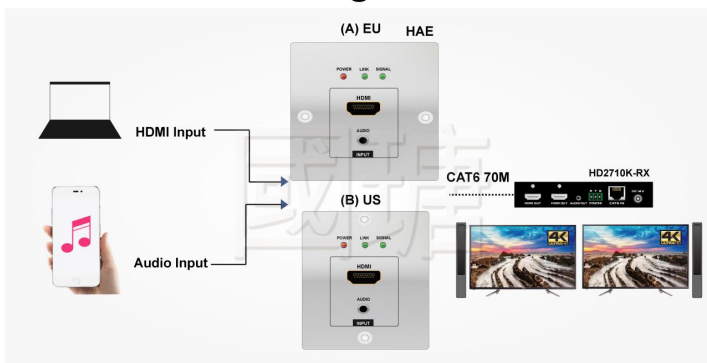
- Support 1080P 3D/ 4K 30Hz/ 4K 60Hz resolution.
- HAE_A: Using Cat5e/Cat6 cables, the transmission distance is 100m at 1080P resolution, and 70m at 4K 30Hz or 4K 60Hz.
- HAE_B: Using Cat5e/Cat6 cables, the transmission distance is 70m at 1080P resolution, and 35m at 4K 30Hz or 4K 60Hz.
- Support input EDID management, up to 7 kinds of built-in EDID, can read the EDID of the display, the maximum support input 4K 60Hz 4:4:4 resolution
- Provide POC function, only need to supply power to HDBaseT transmitter or receiver, then it can supply power to the other end.
- Support audio embedding function, which can add external audio to HDMI video.
- Support HDMI2.0/ HDCP2.2.
- Provide 12V or 24V switching input.

Specification

Model Name	HAE
Transmitter	1 x HDMI2.0 input, 1 x 3.5mm input, 1 x HDBT (RJ45) output
Receiver	Used with HD2710K receiver
Video resolution	4K 30Hz/ 60Hz, 1080P 60Hz
Transmission	Up to 100 meters under 1080P, distance (HAE_A) and up to 70 meters under 4K 30Hz or 4K @60Hz.
Transmission	Up to 70 meters under 1080P, distance (HAE_B) and up to 35 meters under 4K 30Hz or 4K @60Hz.
HDMI Cable length	It can be connected to a 28AWG HDMI2.0 cable up to 5 meters long. If it is beyond this length that recommends using extender.
Power supply	DC 12V 1.5A power input at the transmitter or receiver (POC unilateral power supply)
Dimensions	88×88×38mm/ 114×70×38mm (LxWxH)
Item Weight	200g

Diagram

Diagram



Package contents

- 1 X HAE transmitter
- 1 X 12V 1.5A adapter
- 1 X User manual