

Description



HDMI Switch

MODEL : HS401
4-Port HDMI Switch



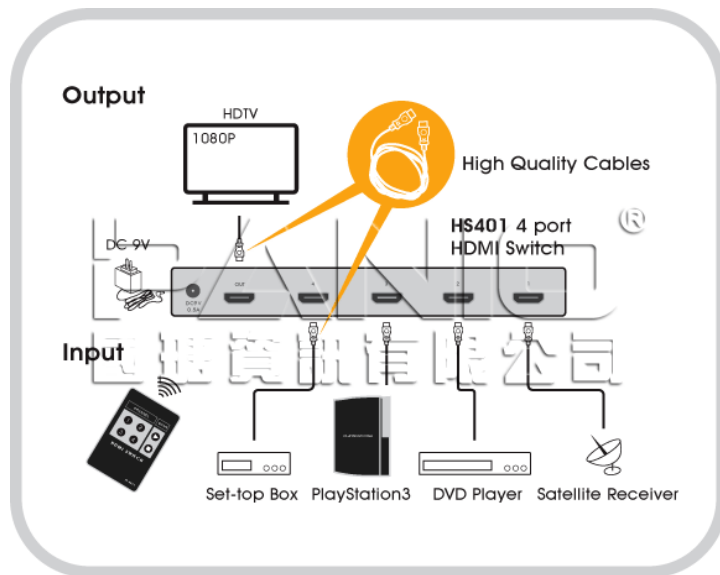
Made in Taiwan

The HS401 4 Ports HDMI audio/video switch, is a multi-input, single output unit designed to conveniently connect, four HDMI source units such as, DVD player, Set top box, Satellite receiver, etc. then direct that input to a single HDMI monitor.

Features

Diagram

- 4 to 1 full function digital HDMI AV switch, easy switch by automatic, manual and remote control.
- Receiving signal by built in or external infrared receiver(optional).
- Built in auto detection when in booting status and auto switch to the input port which has the signal.
- LED display the system connection status.
- With latest HDMI ver. 1.3, promote image up to 10 bit high quality resolution.
- Support HDCP digital copy free certificate system.
- Hot pluggable, easy installation without any software.
- Economical home theater solution.
- With ADI high level video switch display chipset, high compatibility.
- Resolution up to Full HD 1080P.
- Signal enhance function: input end 12m + output end 12m , total up to 24m .
- With auto scan function, adjustable with 20/40/60/80 seconds duration.
- Unique 8 steps EQ quality adjustment, adjusted by re-press dedicated port button.
- Press panel button 3 sec until LED flash to enter adjust mode.
- Made in Taiwan.



Accessories :

- 1 x HS401
- 1 x IR Remote Controller
- 2 x HDMI Cable 1.8m
- 1 x DC 9V 600mA Power Adaptor
- 1 x External Infrared Receiver(Optional)